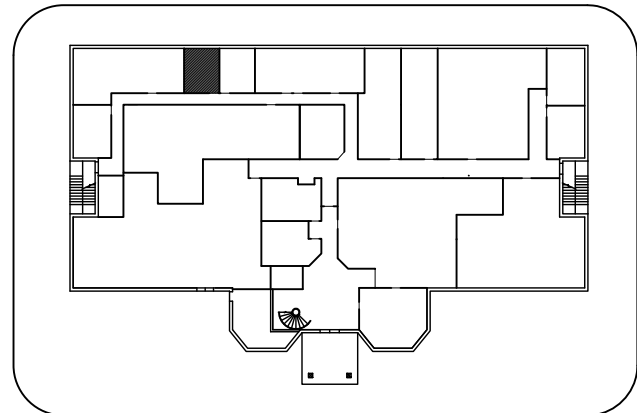
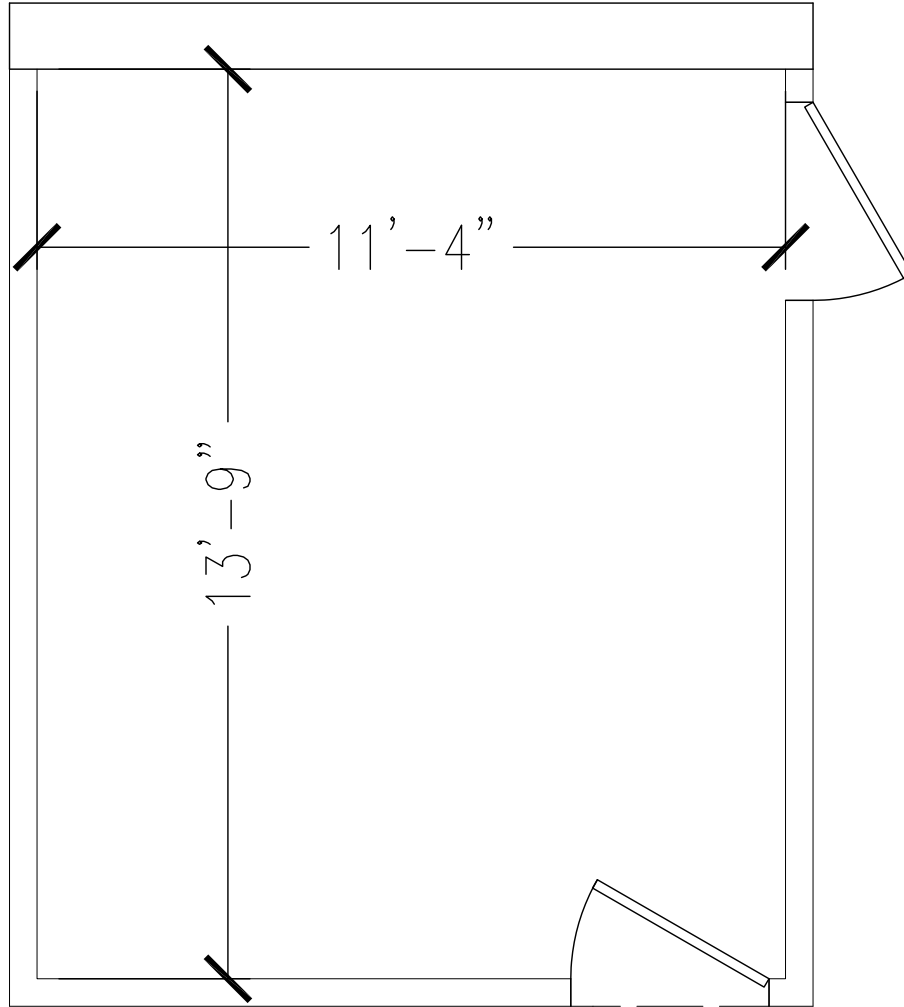




CONACH, LLC.

PO BOX 340512
Tampa, FL 33694
www.ConachLLC.com
(813) 386-1484

PROPERTY: THE FINANCIAL CENTER
2701 W BUSCH BLVD
TAMPA, FL 33618



SUITE 110

SQ. FT. = 176

AVAILABLE BY:

NOW

NOTE: DIMENSIONS
ROUNDED TO THE
NEAREST INCH

NOTE: DRAWN AS
MEASURED 01/27/10

SHEET #:

EC